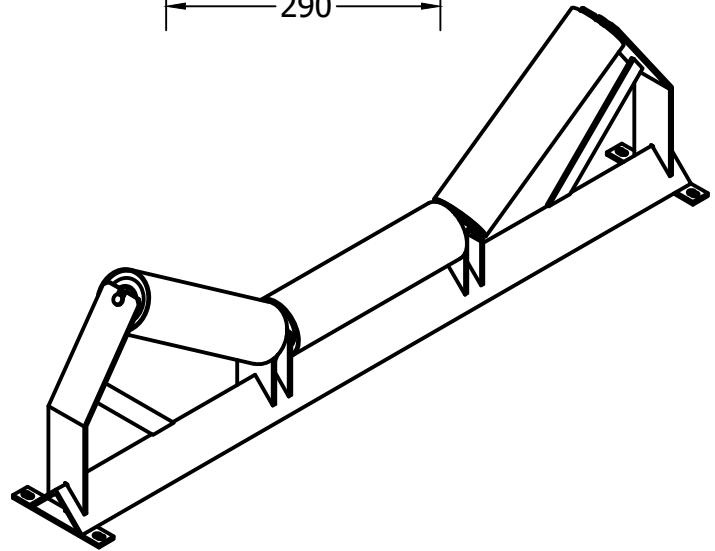
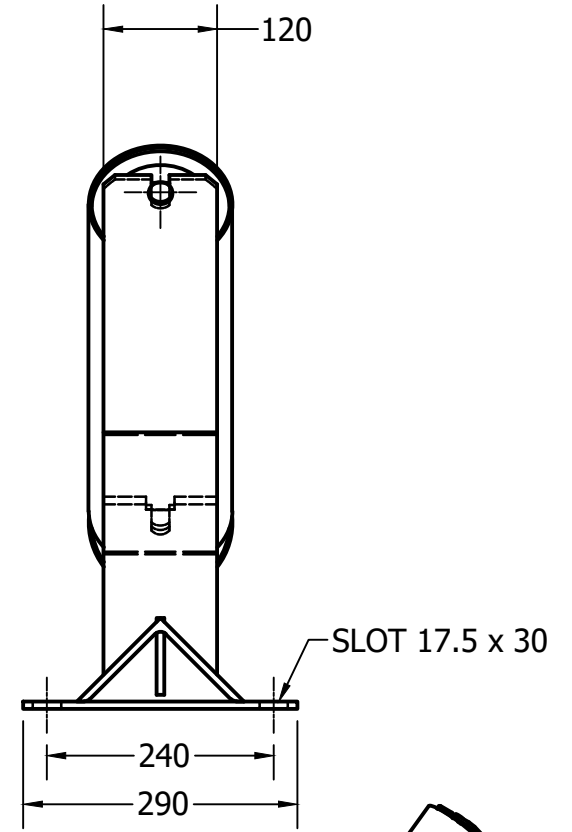
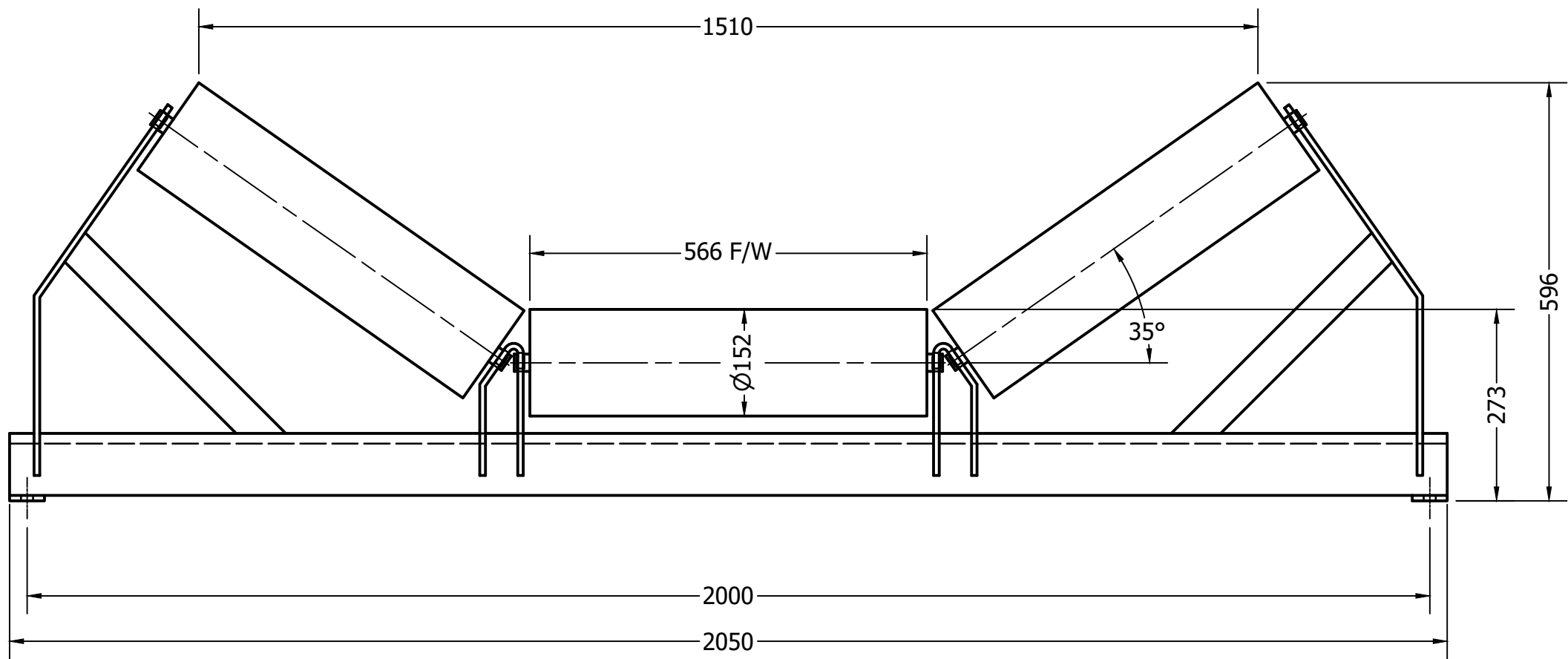


F E D C B A



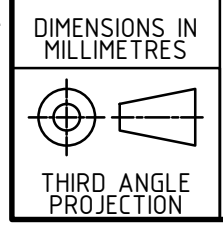
- 1. BELT WIDTH : 1600mm
- 2. FRAME : HOT DIP GALVANIZED
- 3. ROLLER : PAINTED BLUE (RAL5002)
- 4. BEARING TYPE : 6305ZZ C3

FABRICATION TOLERANCES UNO	
ANGULAR	± 0.5°
FLATNESS	± 2.0 PER 1000
LINER DIM	DEVIATION
0-6	± 0.3
6-30	± 0.5
30-120	± 0.8
120-315	± 1.2
315-1000	± 2.0
1000-2000	± 3.0
2000-4000	± 4.0
SURFACE TEXTURE	6.3/√

ROLLER	90-ROL-6-0013
FRAME	90-FRM-6-0013
DESCRIPTION	PART NUMBER

A	ISSUED FOR REVIEW					
REV	DESCRIPTION	PCO	DRAWN	CHK'D	APP'D	DATE

CLIENT:	-
PROJECT:	-
TRANSMIN NO:	-



COPYRIGHT © THIS DRAWING IS THE PROPERTY OF TRANSMIN PTY LTD FOR WHICH WE RESERVE ALL RIGHTS INCLUDING THOSE RELATING TO PATENTS OR REGISTERED DESIGNS. IT MUST NOT BE REPRODUCED USED OTHERWISE OR MADE AVAILABLE TO ANY THIRD PARTY WITHOUT PRIOR PERMISSION IN WRITING.

TITLE
IDLER- 1600BW SERIES - ICP30
35 DEG 3 ROLL
CARRY ROLLER Ø152x566Fx25SD

SCALE NTS	DRAWN:	DATE:
SIZE	CHECKED:	DATE:
NAV	APPROVED:	DATE:
DRAWING NO.		
90-IDR-6-0013		1 OF 1 A3

F E D C B A