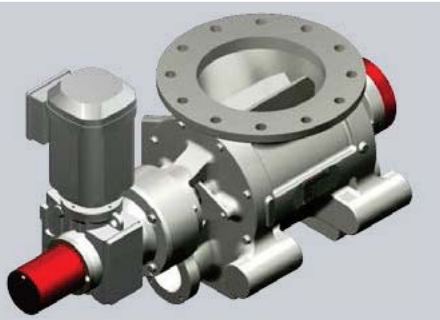
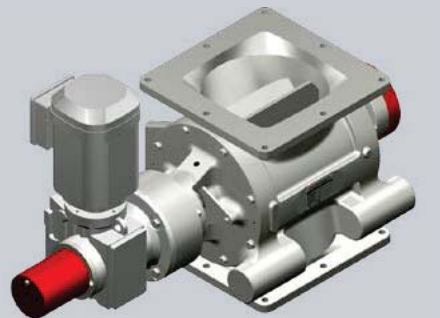


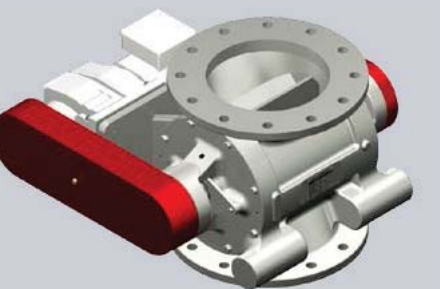
# HDM heavy duty modular rotary valves and BSM blowing seals



BSM Blowing seal with direct drive



HDM Rotary valve with direct drive



HDM Rotary valve with chain drive

Recently developed HDM Rotary and BSM Blowing seal valves have been designed using finite element analysis to make the housing even more robust. Where the valve feeds directly into a conveying line, the BSM range has been designed to optimise product conveying using computational fluid dynamics techniques. A new casting pouring method has been used to improve the external finish of the valves and standard, cleanable and fast clean versions use just one body configuration.

With frequent spares requests for valves over 30 years old, our rotary valves and blowing seals have already gained a superb reputation for reliable long service life.

## Typical applications

- Metering device, airlock, explosion containment, flame barrier and system isolation.
- Suitable for gravity, positive pressure and vacuum conveying systems.
- Powders, granules, pellets, grain, feed and chips.
- Can be adapted for virtually all types of product characteristics.

## Advantages:

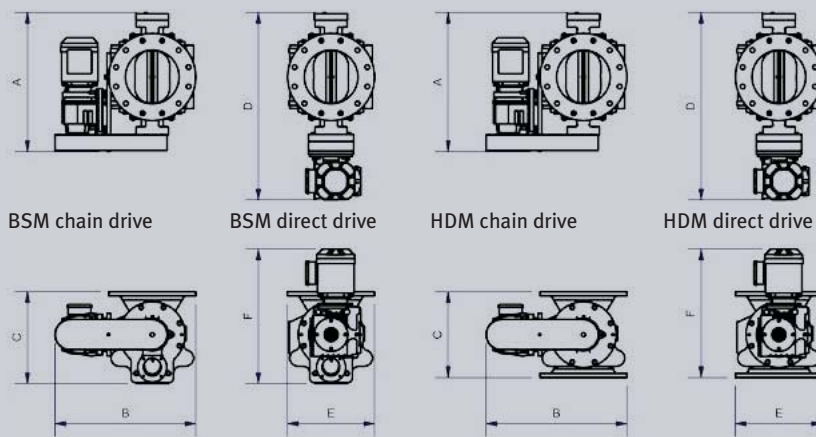
- Over 15,000 different configurations that can be adapted to suit virtually all applications.
- Bespoke versions and sizes.
- 18 Month warranty.
- Valve housings are individually pressure tested for 10 bar(g) explosion and flame containment requirements.
- Backed up by 90 years collective applications experience.

**Rota Val**

Keeping the World's Industries Solidly in Control

# Specifications

<b>Size</b>	• 150-400 mm
<b>Throughput</b>	• Up to 50 m <sup>3</sup> /hr
<b>Flanges</b>	• Round or square, special flange configurations available
<b>Construction</b>	• Cast iron, aluminium or stainless steel, special material grades available
<b>Drive</b>	• SEW chain or direct drive as standard
<b>Finishes</b>	• Polished, wear-resist hard chrome or tungsten carbide, non stick PTFE
<b>ATEX</b>	• Full range of dust and gas zones - 10 bar(g) fully autonomous versions



## Approx Dimensions

Valve	A	B	C	D	E	F
BSM 150	514	517	315	674	280	482
BSM 200	564	586	356	724	343	526
BSM 250	647	657	429	873	406	625
BSM 300	727	837	476	923	483	694
BSM 350	803	912	557	1044	534	760
BSM 400	853	944	616	1094	597	789

## Approx Dimensions

Valve	A	B	C	D	E	F
HDM 150	514	517	280	674	280	477
HDM 200	564	586	325	724	343	486
HDM 250	647	657	400	873	406	596
HDM 300	727	837	460	923	483	678
HDM 350	803	912	530	1024	534	733
HDM 400	853	944	590	1094	597	763

VALVE SIZE	150	200	250	300	350	400
PIPE SIZE O/D	63.5	76.2	88.9	101.6	127	152.4
PIPE SIZE I/D	57	69.7	82.4	95.1	120.5	145.9

VALVE SIZE	150	200	250	300	350	400
CAPACITY m <sup>3</sup> /hr/rpm	0.14	0.35	0.68	1.21	1.88	2.85