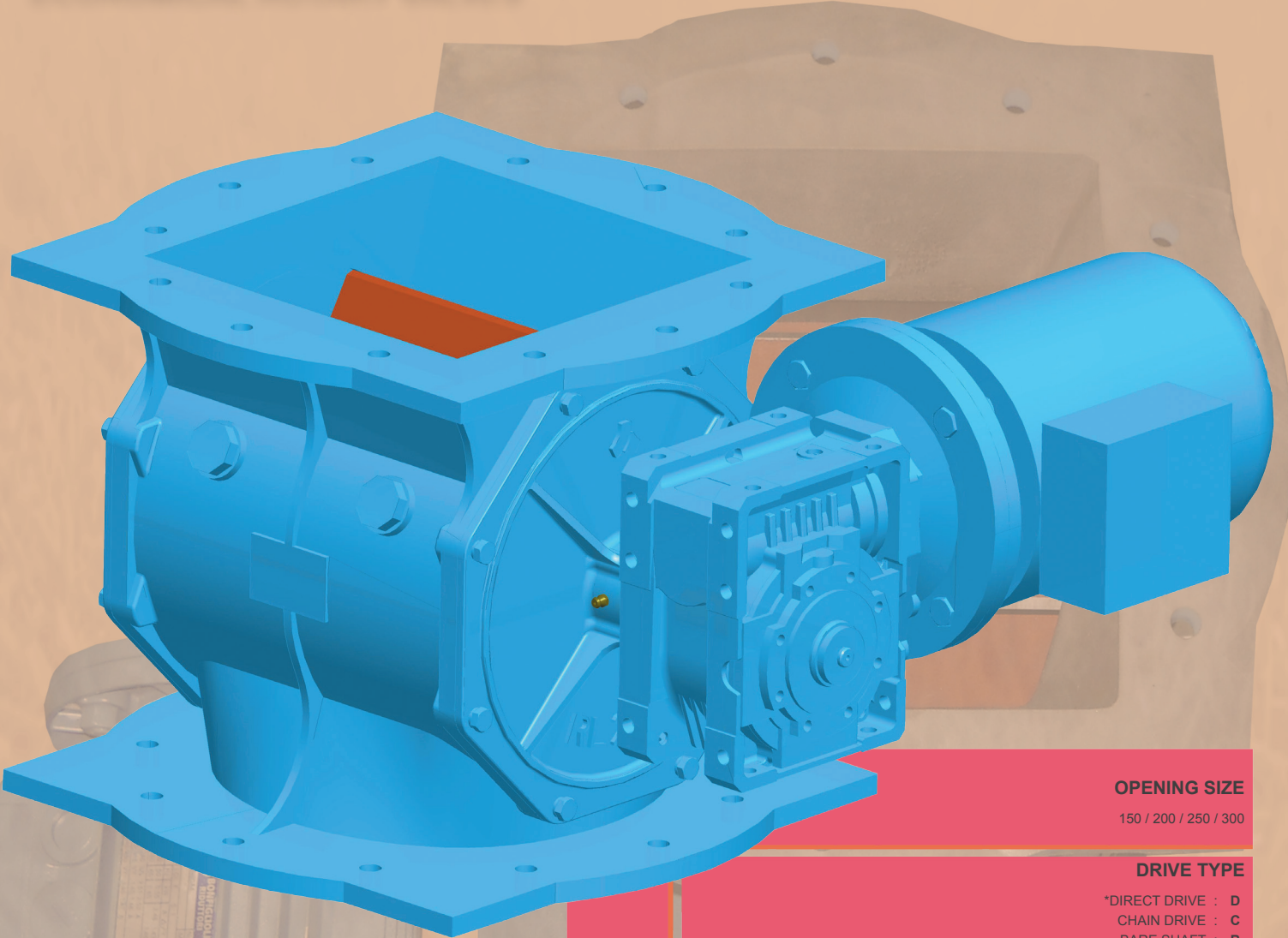


# RL SERIES

ECONOMICAL ROTARY VALVES



**OPENING SIZE**

150 / 200 / 250 / 300

**DRIVE TYPE**

\*DIRECT DRIVE : D  
CHAIN DRIVE : C  
BARE SHAFT : B

**ROTOR SPEED**

**PURGE SEALING**

\*ANVAL STANDARD : -

**SURFACE TREATMENT**

\*ANVAL STANDARD : -

**UNDERSPEED SENSORS**

\*NONE : -

**RL 300 D 31 - - -**

BASIC DESIGNATION

EXTENDED DESIGNATION

\*DEFAULT



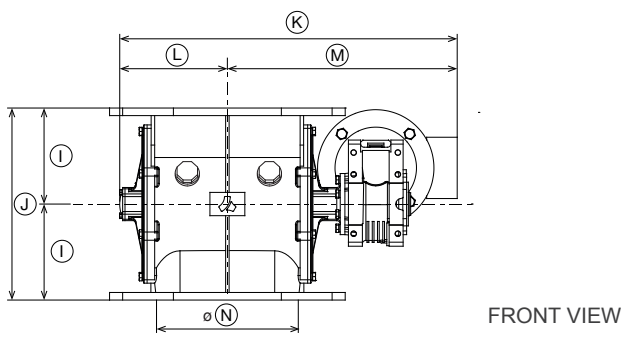
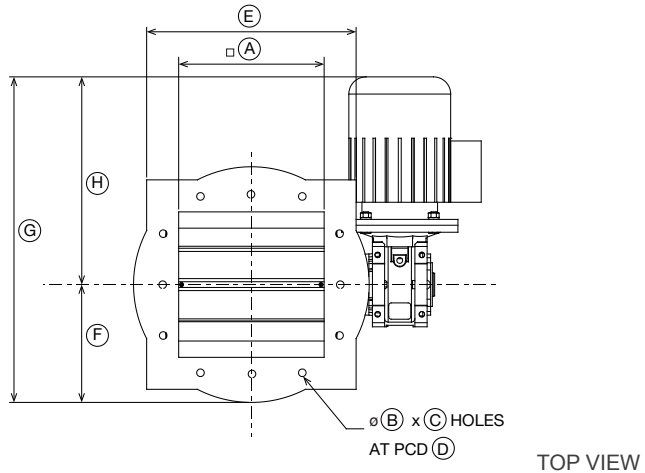
ATEX VERSION IS ALSO AVAILABLE.

[www.anval.net](http://www.anval.net)



ISO 9001: 2008 Reg. No.687645

**DIRECT DRIVE (D) > DIMENSIONS**



NAME	RL 150	RL 200	RL 250	RL 300
A	150	200	250	300
B	13	13	13	18
C	8	8	12	12
D	240	295	350	400
E	250 x 250	305 x 305	360 x 360	400 x 400
F	140	170	202.5	228
G'	429	459	560	616
H'	289	289	357	388
I	105	135	165	200
J	210	270	330	400
K'	444	492	598	649
L	140	170	203	228
M'	304	322	395	408
N	147	198	249	299
NET WEIGHT	29	48	65	93
GROSS WEIGHT	38	57	90	118

ALL DIMENSIONS IN MM, WEIGHT IN KGS.

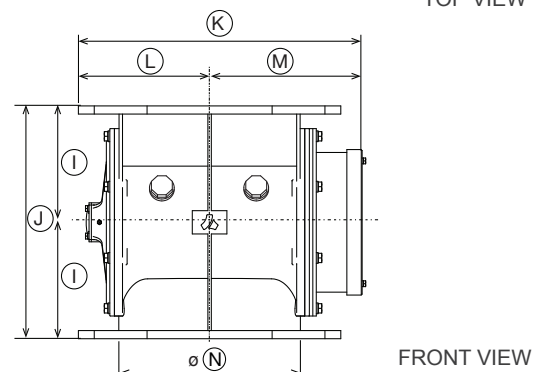
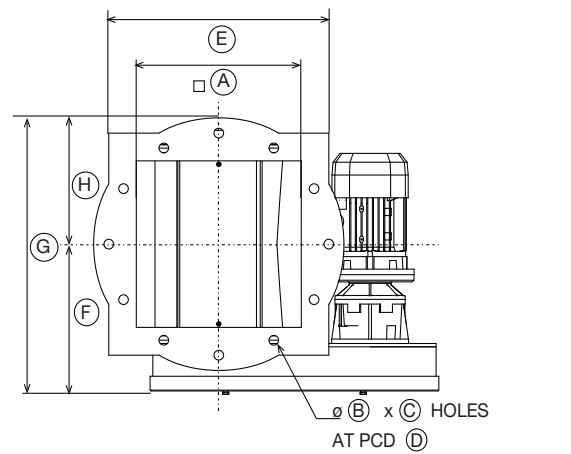
\*APPROXIMATE DIMENSION ONLY. VARIES WITH MOTOR SIZE AND GEARBOX VARIATION.

**CHAIN DRIVE (C) > DIMENSIONS**

NAME	RL 150	RL 200	RL 250	RL 300
A	150	200	250	300
B	13	13	13	18
C	8	8	12	12
D	240	295	350	400
E	250X250	305X305	360X360	400X400
F	188	170	242.5	270
G	328	386	445	498
H	140	216	202.5	228
I	105	135	165	200
J	210	270	330	400
K'	382	474	564	628
L	140	170	202.5	228
M'	242	304	361.5	400
N	147	198	249	299
NET WEIGHT	29	48	65	93
GROSS WEIGHT	38	57	90	118

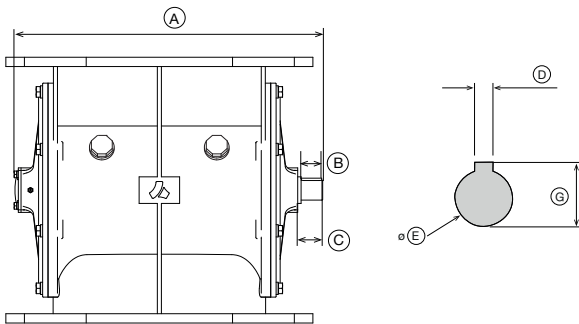
ALL DIMENSIONS IN MM, WEIGHT IN KGS.

\*APPROXIMATE DIMENSION ONLY. VARIES WITH MOTOR SIZE AND GEARBOX VARIATION.



**BARE SHAFT (B) > DIMENSIONS**

RL



FRONT VIEW

NAME	RL 150	RL 200	RL 250	RL 300
A	294	351	416	469
B	26.5	27	34	32
C	31	31	37	37
D	8	8	8	8
E	25	25	25	30
G	28	28	28.3	33

ALL DIMENSIONS IN MM.

NOTE: RECOMMENDED FOR CHAIN DRIVE

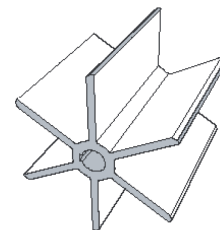
**ROTORS**

RL

The standard RL Series rotor is open-end style, the most common rotor assembly design. Open rotors refers to the open pocket at each end of the rotor .

Default design comes with 6 vanes.

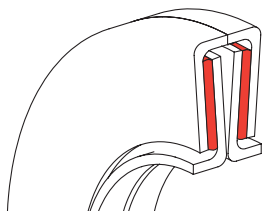
Rotor is perfectly designed and manufactured to have a close clearance of 0.22 mm (Max.)



OPEN ROTOR

**SHAFT SEALING**

RL



We are using labyrinth seal, which is a mechanical seal that fits around the axle or shaft to prevent the leakage of any particles.

Generally, Labyrinth seal is composed of many threads or grooves that are tightly fit inside the casing, thus making difficult for the dust to pass through a long and difficult path.

Labyrinth seals on rotating shafts provide non contact sealing action by controlling the passage of particles through a variety of chambers by centrifugal motion, as well as by the formation of controlled material vortices.

'Double labyrinth Seals' fitted with flock pads, and greased on each side of the valve, are standard with all rotary valves.

**ANVAL STANDARD**

- Longer life span
- Sealing not on the shaft
- No adjustments
- Lower total cost

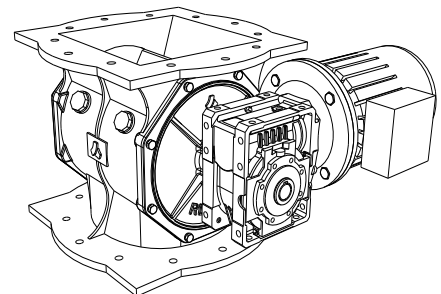
**RL VALVE BODY**

RL

The standard RL Series body is fully cast on a single piece reducing the number of seams for wear. In addition, as all of the components are manufactured from cast iron, the valve has all of the advantages of cast iron over traditional mild steel including superior corrosion resistance, better wear properties and thermal stability.

**BEST FIT FOR**

- Dust collection systems
- Applications to handle eminent temperature
- Rice & Flour mill applications



**CAPACITY / MODEL SELECTION TABLE > RL**

RL

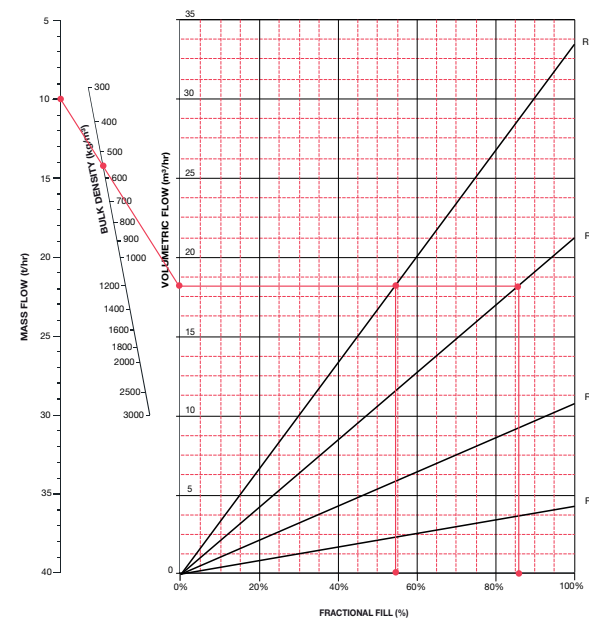
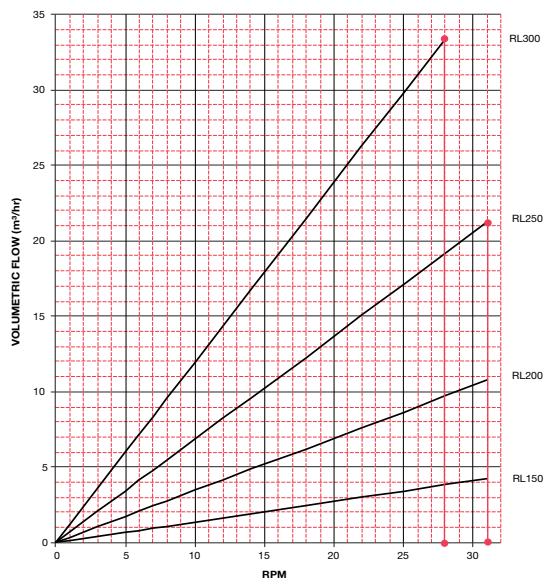
MODEL	SPEED(RPM)	CAPACITY(m <sup>3</sup> /hr)
RL 150	31	4.2
RL 200	31	10.7
RL 250	31	21.2
RL 300	28	33.4

- Painting standard - Dark Grey Blue
- End cover Material - Cast Iron

## MODEL SELECTION CHART

Speed Vs Throughput

Capacity Chart



- 31 RPM DEFAULT FOR RL 150 / 200 / 250
- 28 RPM DEFAULT FOR RL 300

NOTE: THIS CHART IS PREPARED FOR THE GUIDANCE PURPOSE ONLY, CONSIDERING 100% FILLING CAPACITY.

EXAMPLE: A MATERIAL WITH A BULK DENSITY OF 550KG/M<sup>3</sup> AND REQUIRED CAPACITY OF 10T/HR CAN BE ACHIEVED BY RL 250 & AT 86% FILLING CAPACITY WITH 31 RPM AND ALSO BY RL 300 AT 54% FILLING CAPACITY WITH 28 RPM.

NOTE: THIS CHART IS PREPARED FOR THE GUIDANCE PURPOSE ONLY, CONSIDERING MAX. RPM

## CONSTRUCTION / TECHNICAL SPECIFICATIONS

<b>BODY</b>	: Cast Iron	<b>BEARINGS</b>	: In board
<b>ROTOR</b>	: Cast Iron - Open Rotor type	<b>SHAFT</b>	: CS1030
<b>SIDE PLATES</b>	: Cast Iron	<b>OPENING SIZES</b>	: 150, 200, 250, 300 mm
<b>GEARBOX</b>	: Heliworm Gears (D) / Helical Gears (C)	<b>TEMPERATURE</b>	: Built to eminent temperature
<b>SEALS</b>	: Labyrinth Seals (sealing washer)	<b>DIFFERENTIAL PRESSURE</b>	: Can handle higher pressure
<b>DRIVE TYPE</b>	: Direct / Chain / Bare shaft	<b>CAPACITY RANGE</b>	: Upto 33 m <sup>3</sup> /hr Max.
<b>PAINTING STANDARD</b>	: Dark Grey Blue	<b>SURFACE TREATMENT (ANVAL STANDARD)</b>	: 50µm Grey Primer 50µm Paracryl IFC (B53 Dk. Grey Blue / Y14 Golden Yellow for guards.)
<b>SPECIAL SEALS</b>	: Grease Purge / Air Purge		

NOTE: SPECIAL CONSTRUCTIONS ARE AVAILABLE FOR HIGHER DIFFERENTIAL PRESSURE AND TEMPERATURE.



ATEX VERSION IS ALSO AVAILABLE.

## OUR LOCATIONS

Rev : May 2016 - 4

<b>AUSTRALIA</b> ☎ +61 8 9726 0988	<b>INDIA</b> ☎ +91 74492 00 505 / 432	<b>UNITED KINGDOM</b> ☎ +44 (0) 207 117 2067	<b>SINGAPORE</b> ☎ +61 8 9726 0988
---------------------------------------	--	---	---------------------------------------

www.anval.net | info@anval.net



T: +61 (8) 9270 8555  
E: sales@transmin.com.au